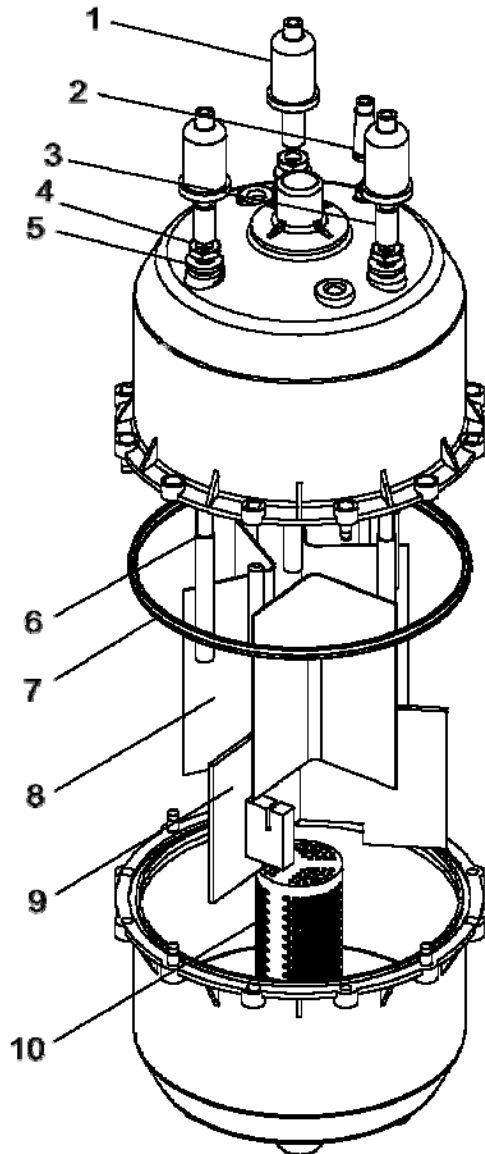


Electrovap MC - Cylinder



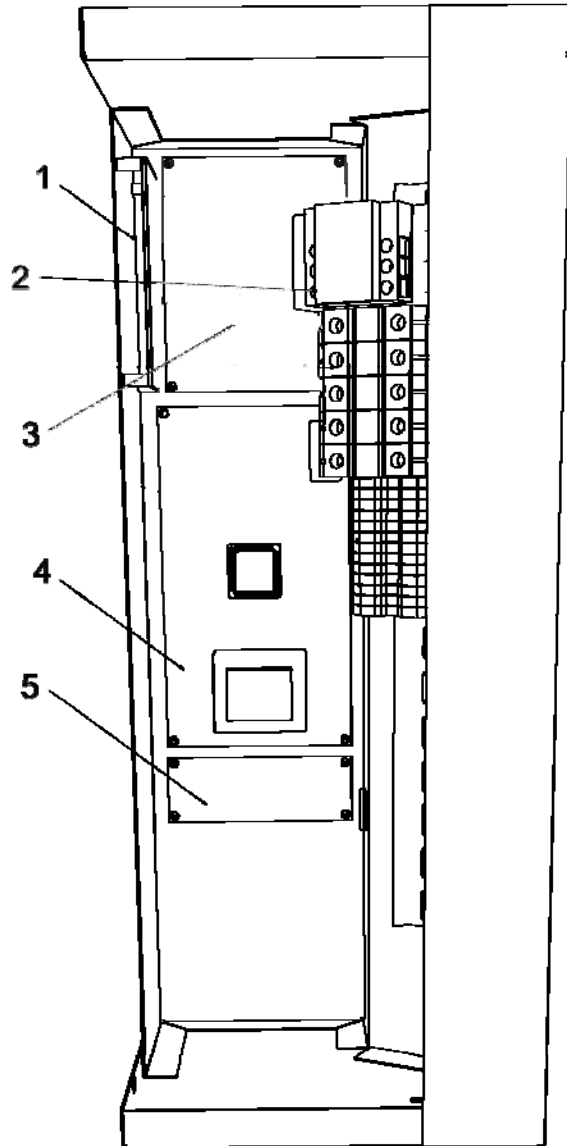
No	Model	Item No	Description	£/each ex VAT
1*	All	42310	Electrode Boot*	POA
2*	All	41902	HWL Cable and Boot*	POA
3*	All	41913	Electrode Cable and Boot*	POA
		41920	Electrode Cable Set (3 cables inc. boots)*	POA
4	All	41906	Electrode Nut	POA
5	All	41905	Fibre Washer	POA
6	All	41919	High Water Level Electrode	POA
7*	ELMC5-10	42106	Cylinder Gasket*	POA
	ELMC15-90	42114		POA
8*	ELMC5	ELECSET/5	Electrode Kit*	POA
	ELMC8	ELECSET/8		POA
	ELMC10	ELECTSET/10		POA
	ELMC15-20	ELECSET/15-20		POA
	ELMC20-90	ELECSET/20-96		POA
9*	All	41915	Electrode Divider*	POA
10*	ELMC10	42107	Cylinder Strainer*	POA
	ELMC15-90	42115		POA
	ELMC5	DIS/5	Disposable Cylinder	POA
	ELMC10	DIS/10		POA
	ELMC20-90	DIS/20-96		POA
	ELMC5	CYL/5	Cleanable Cylinder	POA
	ELMC10	CYL/10		POA
	ELMC20-90	CYL/20-96		POA

* - Consumable items recommended to be kept on site

Standard 2-3 day Mainland UK delivery is charged at 3% order value subject to minimum delivery charge
 . Overseas delivery £POA

All prices are valid until 31/03/09

Electrovap MC – Electrical Compartment

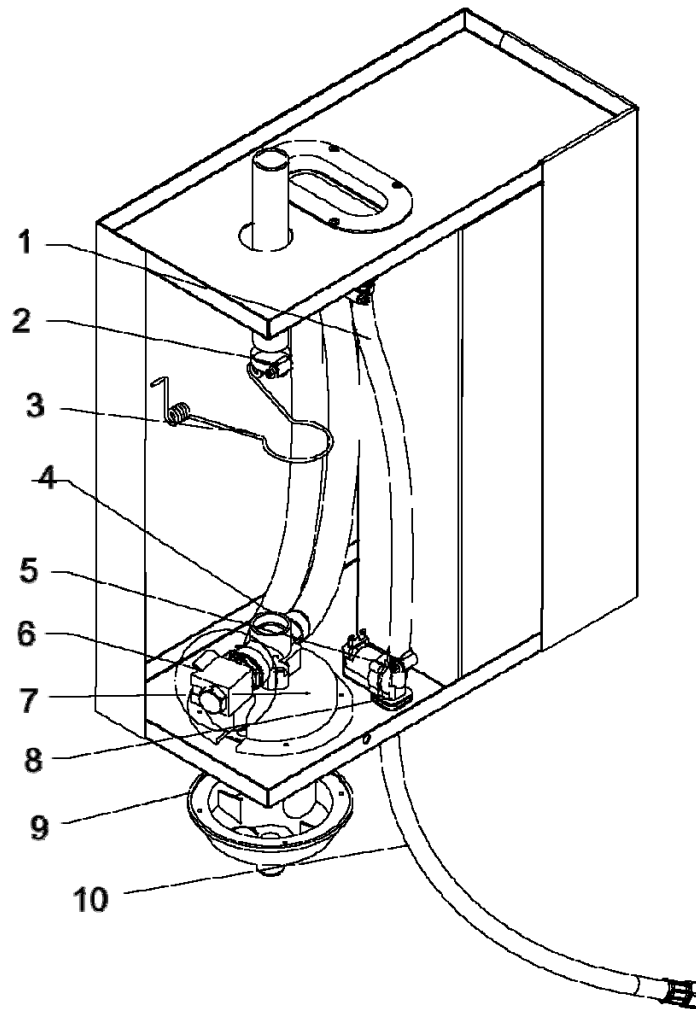


No	Model	Item No	Description	£/each ex VAT
1	All ELMC	30301/MC	ELMC Digital Display	POA
2	ELS 5-15 (EL2S 5-10)	21300/MC	Contactor	POA
	ELS 20 25 40 50 (EL2S 45 60)	21301/MC		POA
	ELS 32 64 96 (EL2S 30 60 90)	21302/MC		POA
3	ELMC 45-60	30307/MC	Auxiliary Board 2 Cylinder	POA
	ELMC 90	30309/MC	Auxiliary Board 3 Cylinder	
4	ELS 5-32 (EL2S 5 10 20 30)	30302/2	Main PCB	POA
	ELS 40-64 (EL2S 45 60)	30303/2		POA
	ELS 96 (EL2S 90)	30304/2		POA
	ELMC8 STEAMBATH	ELMCSBPCB8	Main PCB for Steambath only	POA
	ELMC10 STEAMBATH	ELMCSBPCB10		
	ELMC15 STEAMBATH	ELMCSBPCB15		
	ELMC20 STEAMBATH	ELMCSBPCB20		
	ELMC30 STEAMBATH	ELMCSBPCB30		
	ELMC40 STEAMBATH	ELMCSBPCB40		
	ELMC5 STEAMBATH	ELMCSBPCB5		
	ELMC50 STEAMBATH	ELMCSBPCB50		
	ELMC60 STEAMBATH	ELMCSBPCB60		
	ELMC 90 STEAMBATH	ELMCSBPCB90		
	EL2S (not shown)	00314S	Proportional PCB	POA
	ELMC 5-30	30302/MC	Main PCB	POA
ELMC 45-90	30305/MC	Main PCB 2/3 Cylinder	POA	
All ELMC	30301/MC	ELMC Digital Display	POA	
5	All ELMC	30308/MC	ELMC Remote Board	POA

Standard 2-3 day Mainland UK delivery is charged at 3% order value subject to minimum delivery charge . Overseas delivery £POA

All prices are valid until 31/03/09

Electrovap MC – Panel



No	Item No	Description	£/each ex VAT
1	42001	Water feed hose black 10mm	POA
	42003	Water feed hose black 15mm	POA
2	42901	Jubilee clip 40mm	POA
3	41802	Bottle retaining clip	POA
4*	42208L	Drain valve body	POA
	42207L*	Drain valve o-ring*	POA
5	42903	Jubilee clip 25mm	POA
6	42202LB	Drain valve solenoid	POA
7	42301EL/ELS	Drain cup upper half	POA
8*	42427*	Water inlet valve*	POA
9*	42419*	Inlet valve solenoid*	POA
	42302	Drain cup lower half	POA
10	42604	Water inlet hose (WRAS approved)	POA
	42605	Water inlet hose washers	POA
	HOSE	Water inlet hose	POA

* - Consumable items recommended to be kept on site

Standard 2-3 day Mainland UK delivery is charged at 3% order value subject to minimum delivery charge. Overseas delivery £POA

All prices are valid until 31/03/09